

BALLVALVE FILL-IN SHEET

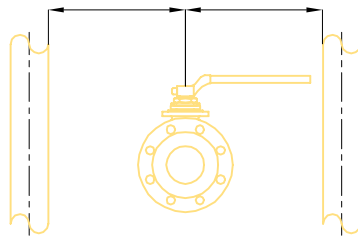
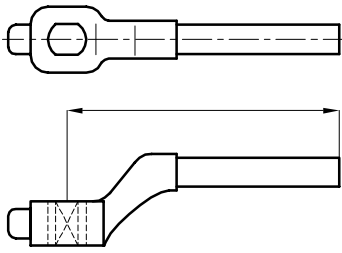
FORM. NF9M004-1

CREATED BY: AKE CHECKED BY: PLL

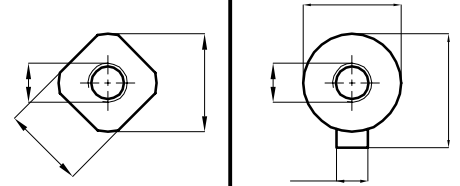
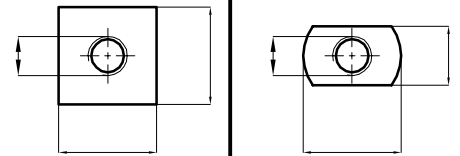
LEVER (or WRENCH)

J AVAILABLE SPACING BETWEEN VALVE AND PIPING H

G SPECIFY SHAPE AND SIZE OF STEM

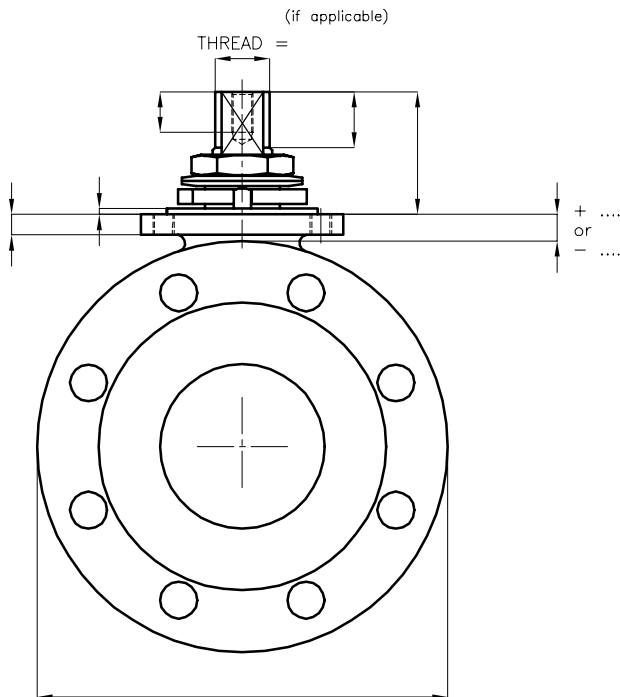
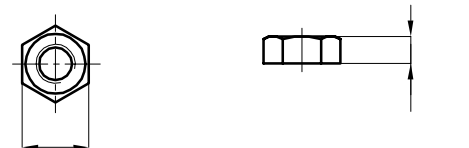
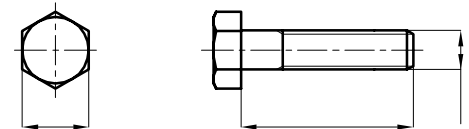
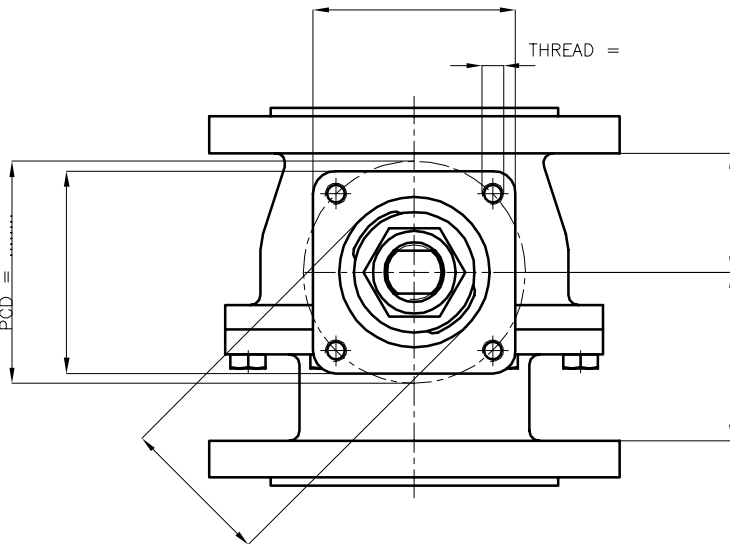


ONLY IF SPACING \geq LEVER + 50 mm



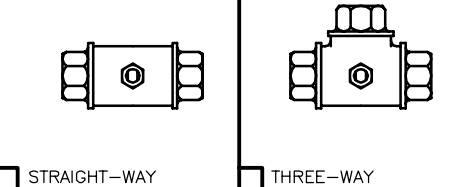
Other Shape:

F SPECIFY SORT AND SIZE OF LEVER-FASTENING



E INDICATE APPLICABLE TYPE

90° -Turn | 180° -Turn



STRAIGHT-WAY

THREE-WAY

D CLIENT:

PROJECT:

P.O. No:

C Valve / Tagno.



Brand / Make:

Size:

Class:

A Measured by:

Sketchnr.