

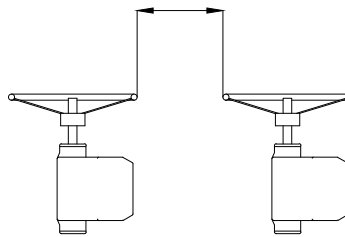
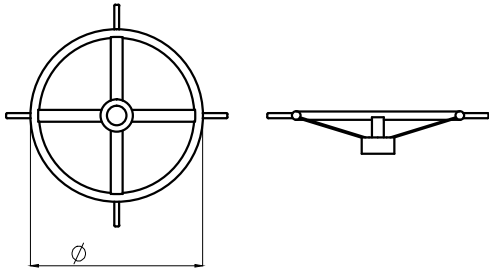
# GEARBOX FILL-IN SHEET

FORM. NF9M003-2

CREATED BY: AKE CHECKED BY: PLL

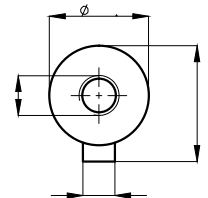
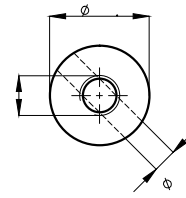
HANDWHEEL

J AVAILABLE SPACING BETWEEN HANDWHEELS H

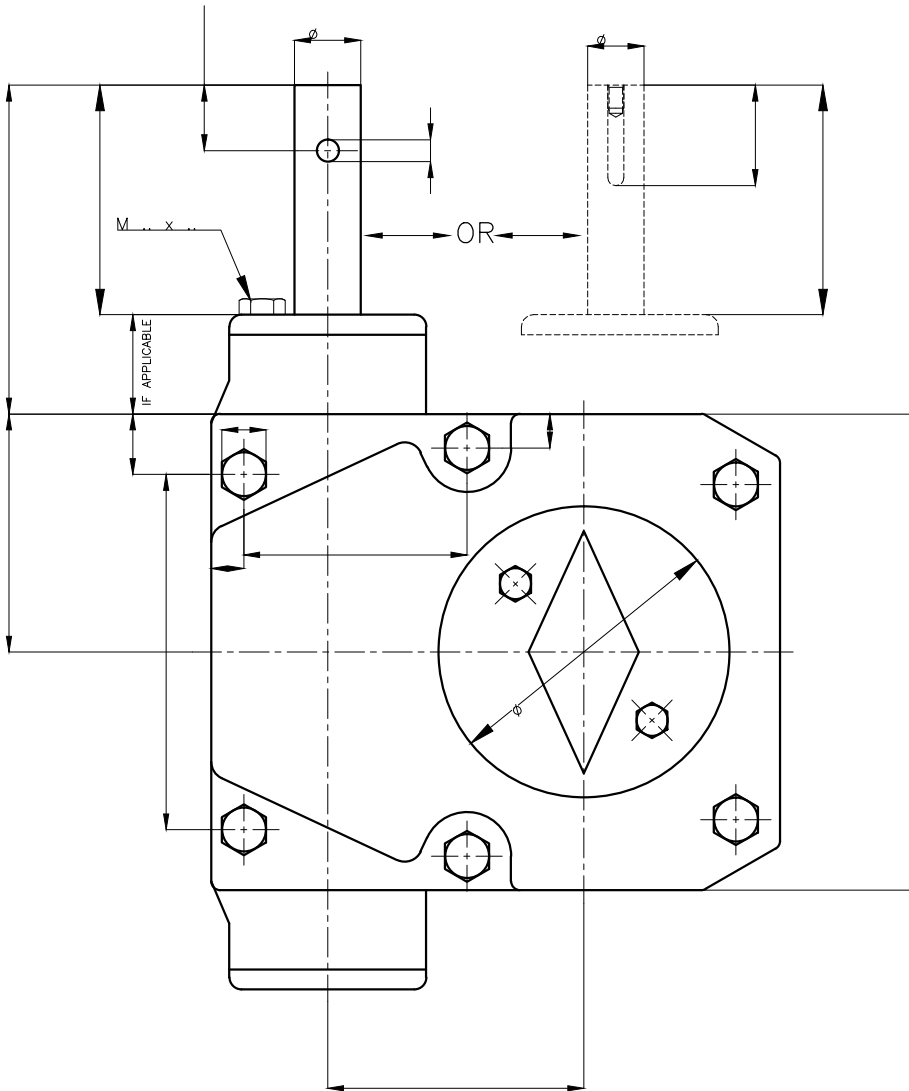
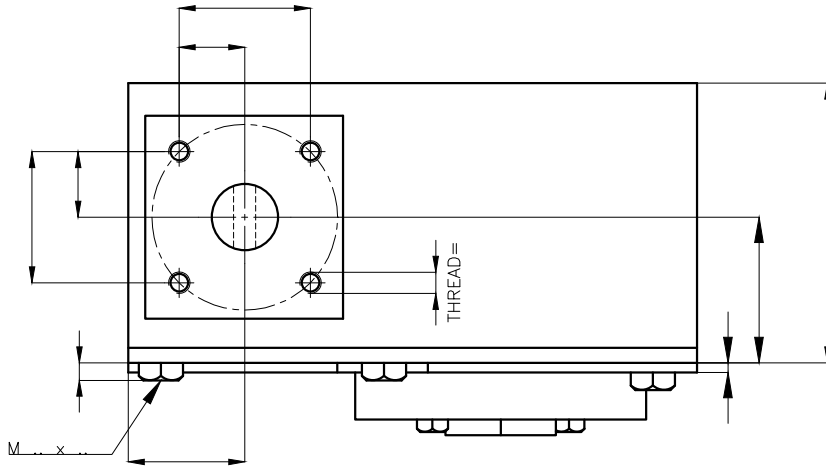


ONLY IF SPACING  $\geq$  50 mm

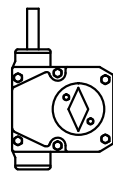
SPECIFY SHAPE AND SIZE OF STEM



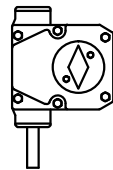
Other Shape:



INDICATE APPLICABLE VIEW



OR



CLIENT:

PROJECT:

P.O. No:



Brand / Make:

Model:

Number of Turns:

A Measured by:

Sketchnr.

B Valve / Tagno.