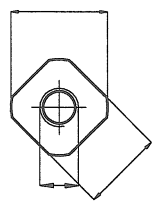
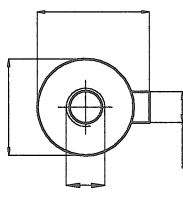
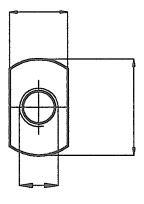


F
SPECIFY SHAPE AND SIZE OF STEM



E
SPECIFY SORT AND SIZE OF LEVER—FASTENING

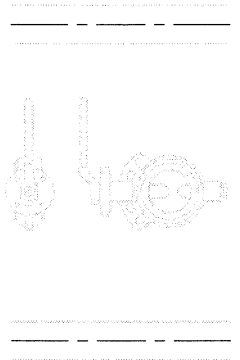
HEXAGON BOLT
SIZE :

HEXAGON NUT
SIZE :

CIRCLIP (PLEASE INDICATE IN DRAWING, POSITION OF CIRCLIP)
SIZE :

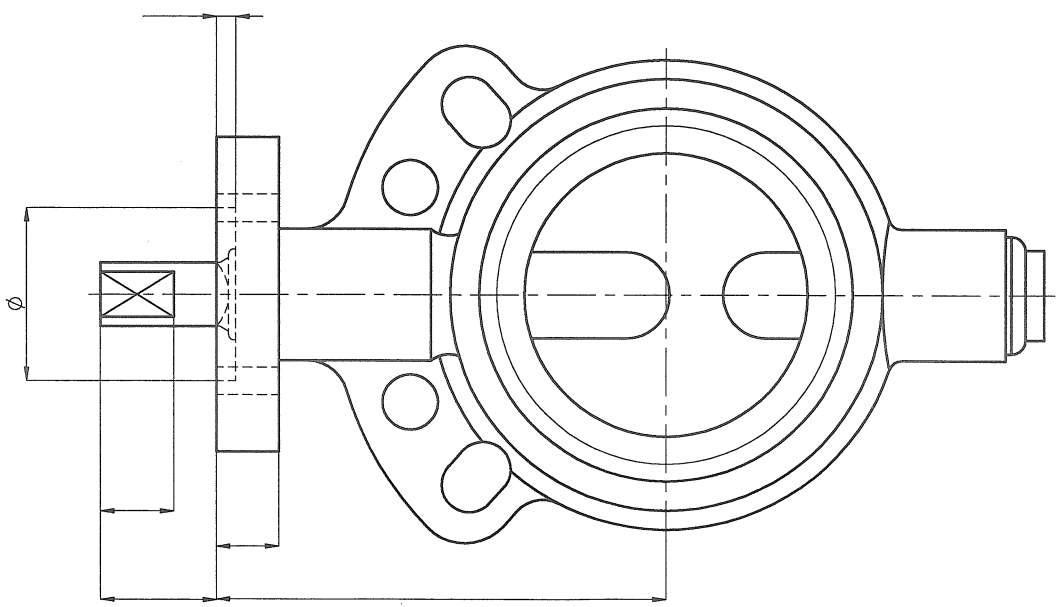
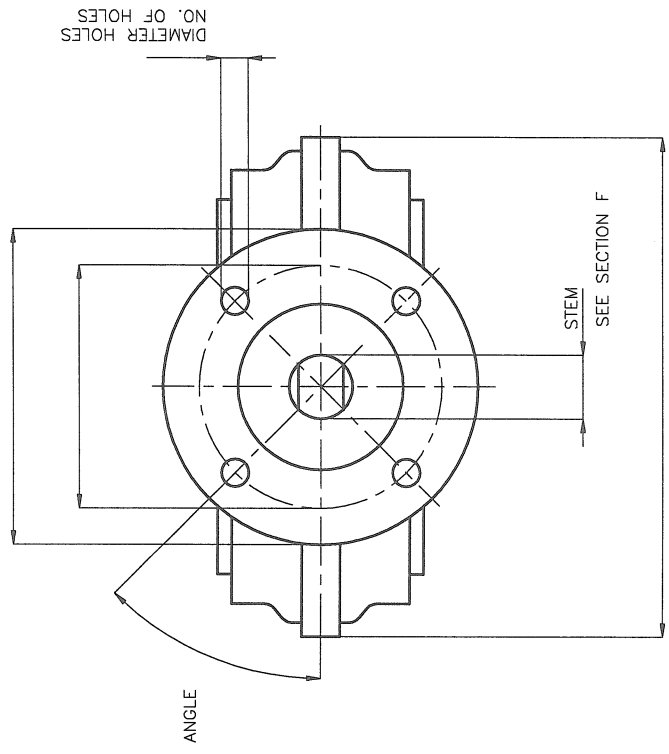
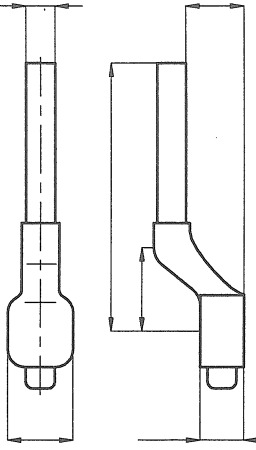
OTHER KIND OF FASTENING
PLEASE INDICATE:
SIZE :

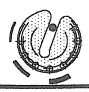
G
AVAILABLE SPACING BETWEEN VALVE AND PIPING



ONLY IF SPACING \leq LEVER + 50 mm

H
LEVER (or WRENCH)



	Make:	A Measured by: Checked by: Date: B		CLIENT: PROJECT: P.O. No:	Valve / Tagno.
	Size:	Sketchnr.			
Class:	Type: Ball /	BUTTERFLY VALVE FILL-IN SHEET		FORM. NF9M005-0 CREATED BY: PP CHECKED BY:	