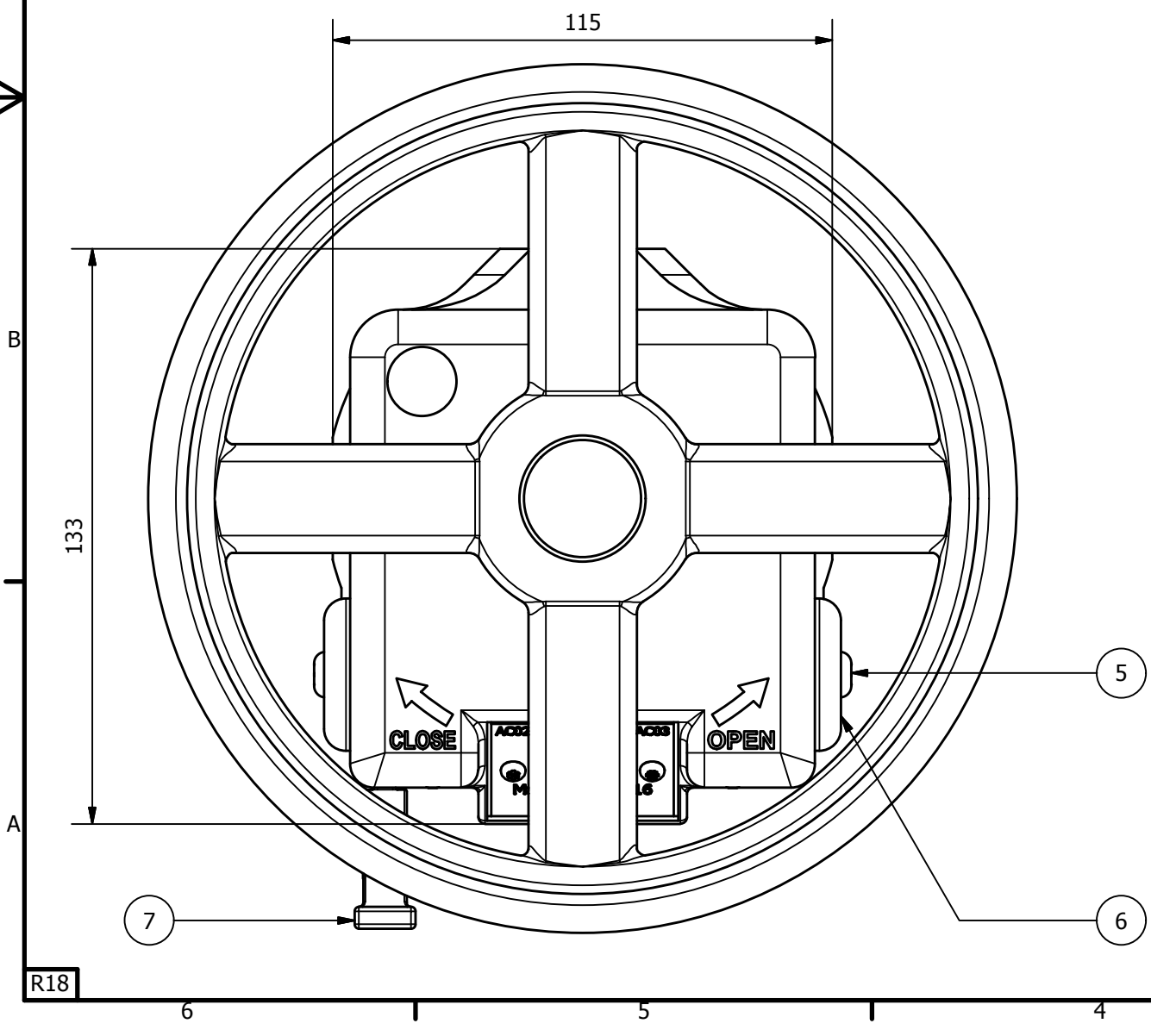
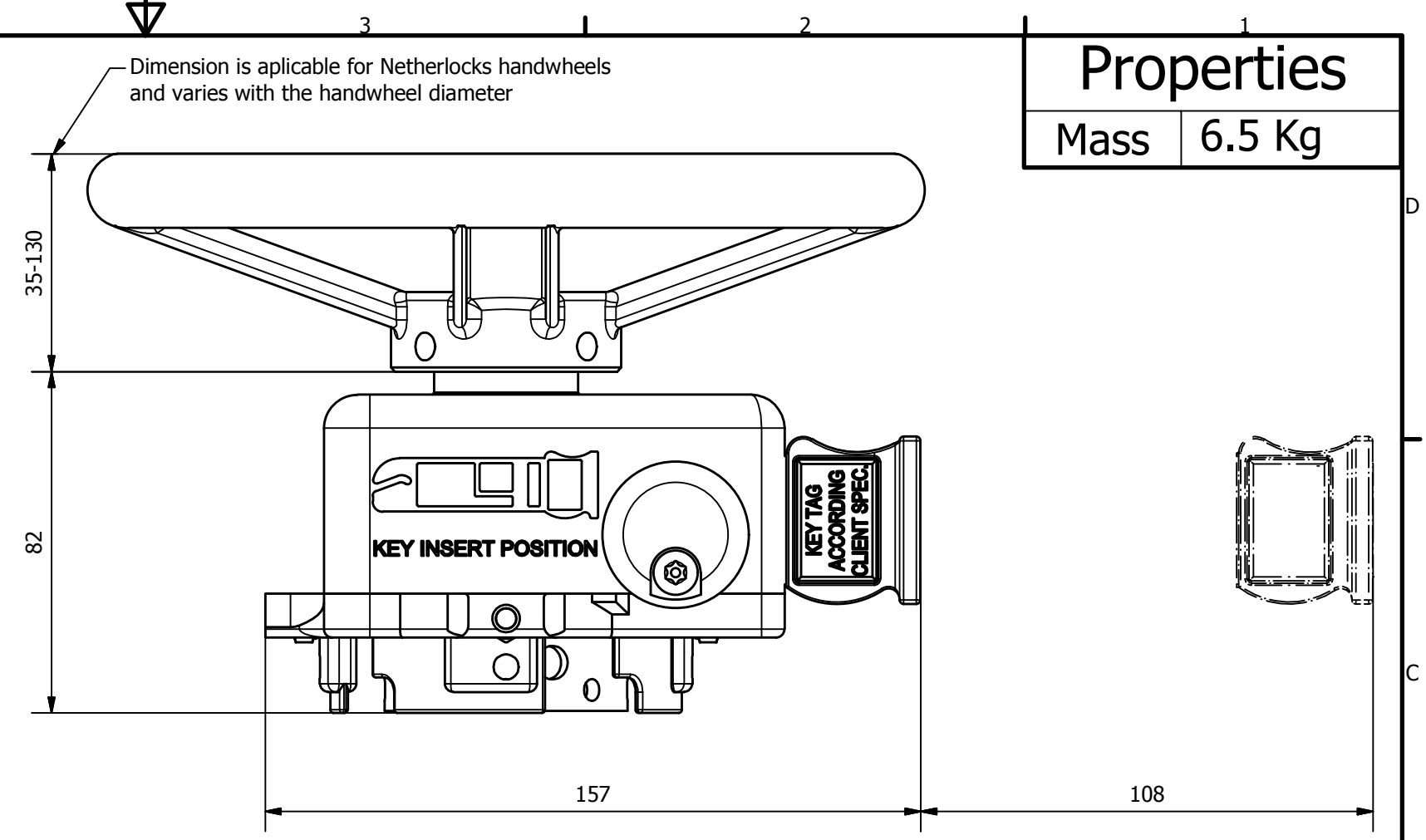
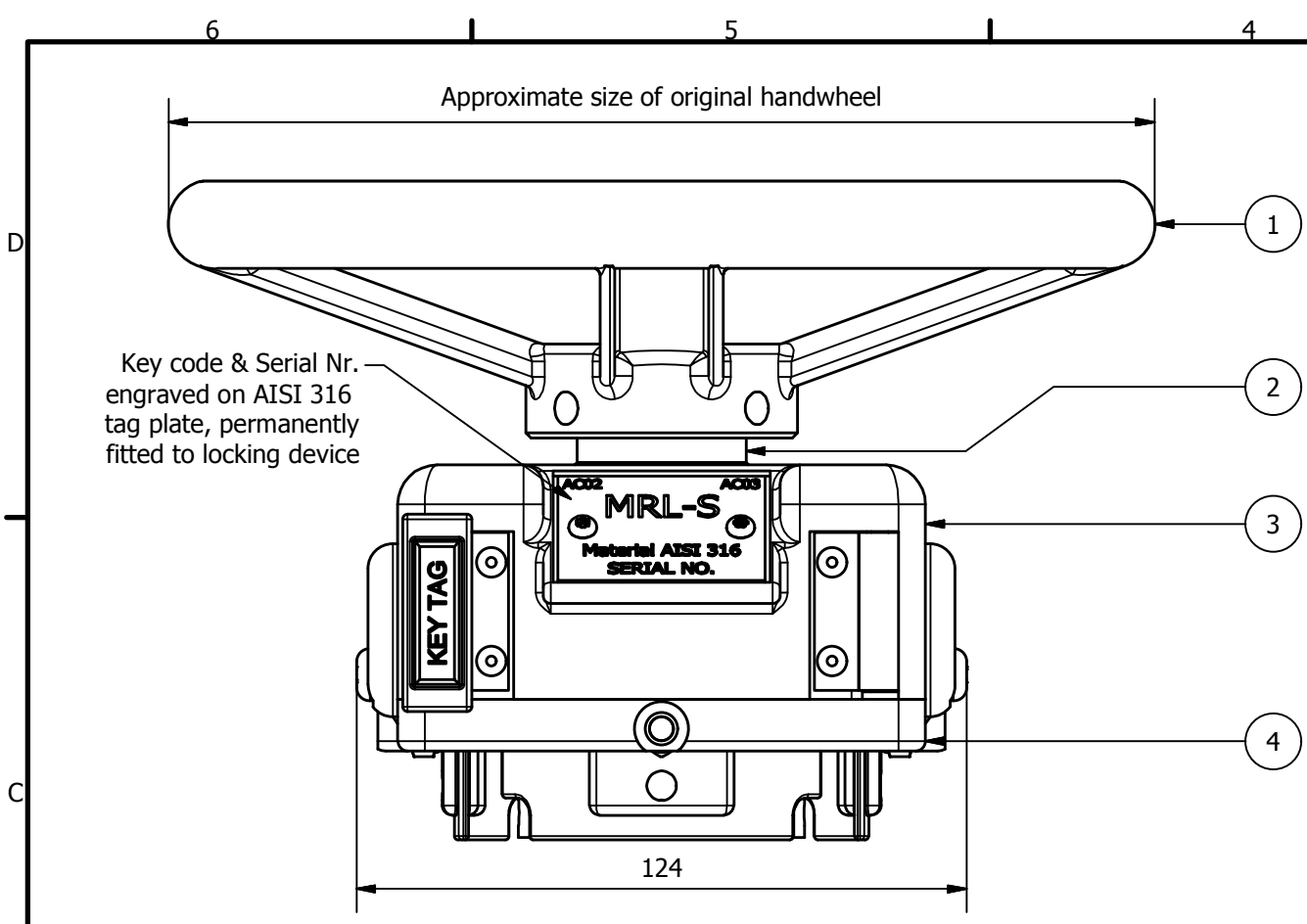


# Properties

Mass 6.5 Kg



ITEM	QTY	DESCRIPTION	MATERIAL
7	1	KEY	AISI 316
6	2	ADJUSTMENT COVER	AISI 316
5	6	TAMPER PROOF SCREW M6	AISI 316
4	1	BOTTOM PLATE SMALL	AISI 316
3	1	LOCKBODY SMALL	AISI 316
2	1	TUBE MRL-S	AISI 316
1	1	HANDWHEEL	AISI 316

PARTS LIST

Drawn: RH      Date: 22-9-2009      Checked:

Outline dimensions  
MRL-S  
Multi Rotation Lock - Small type

Drawing: MRL-S\_GA      Projection:      A3