



**SMITH**  
FLOW CONTROL LTD

**SFC KEY INTERLOCKS & PROCESS MANAGEMENT SYSTEMS**

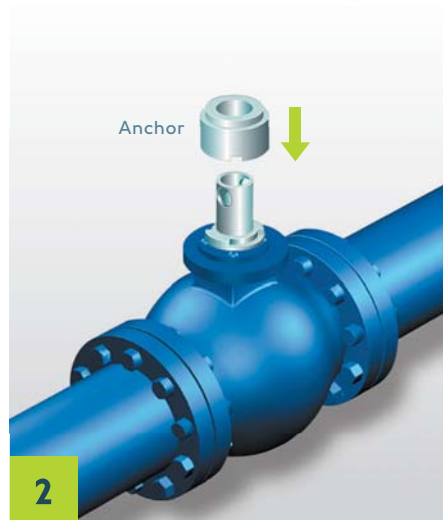
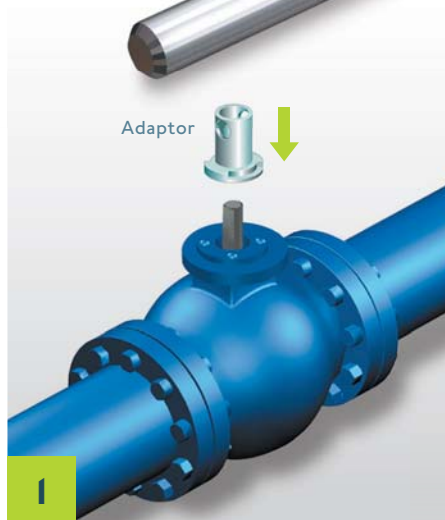
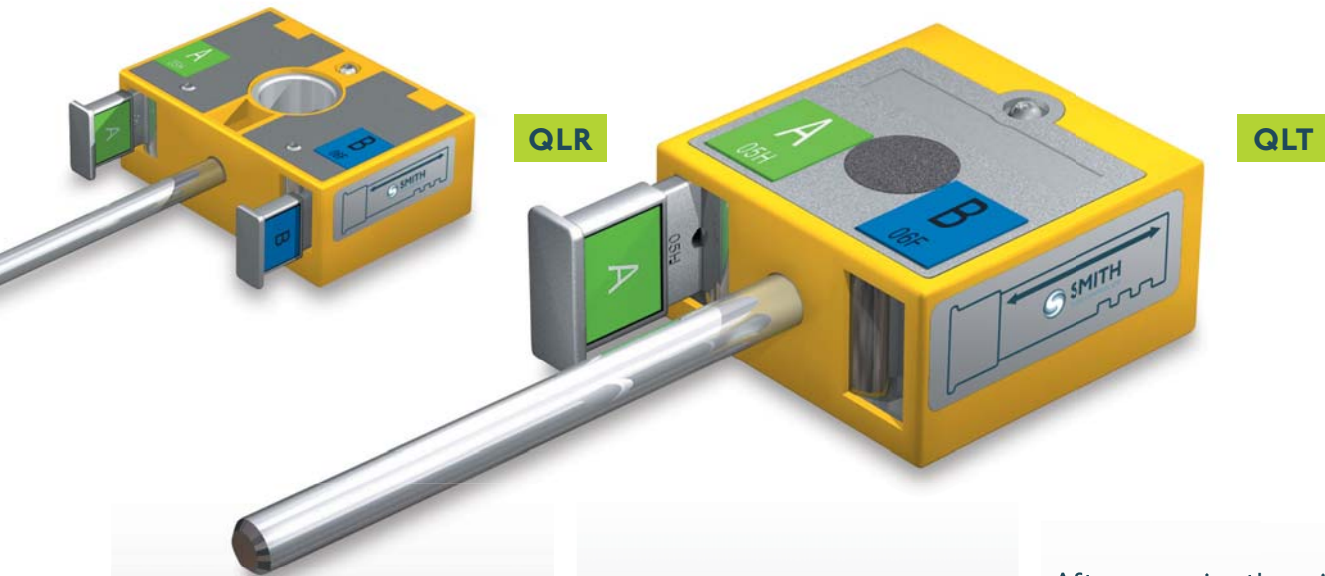


# QL VALVE INTERLOCKS For lever operated valves

## QL VALVE INTERLOCK (QLT & QLR)

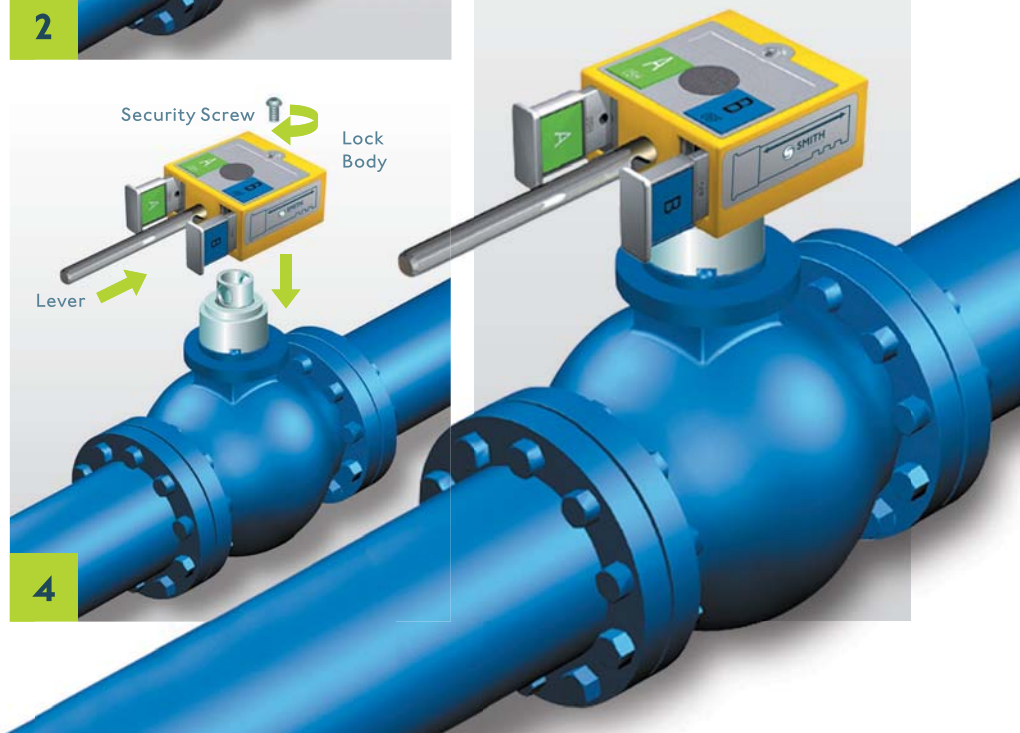
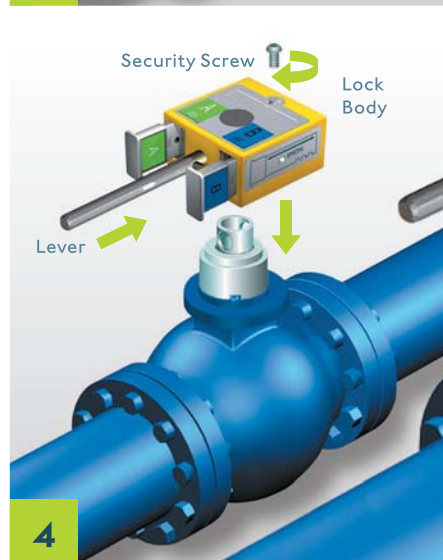
QL valve (inter)locks suit all types of lever-operated quarter-turn valves - including Ball, Butterfly and Plug valves.

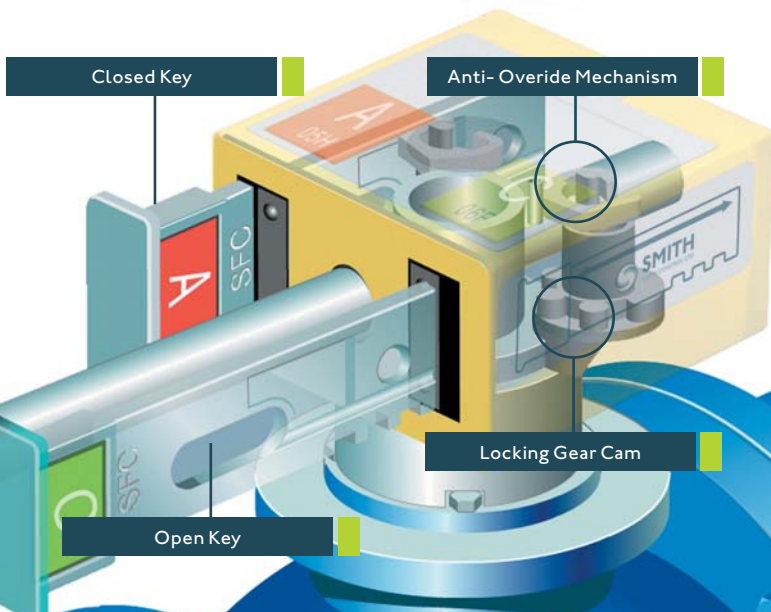
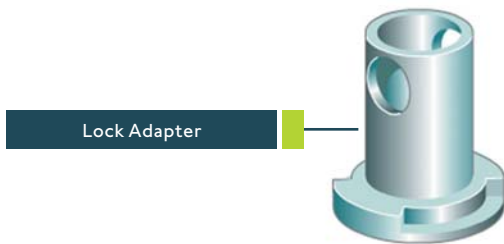
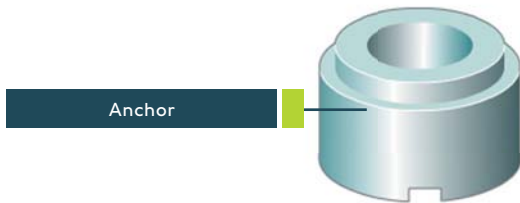
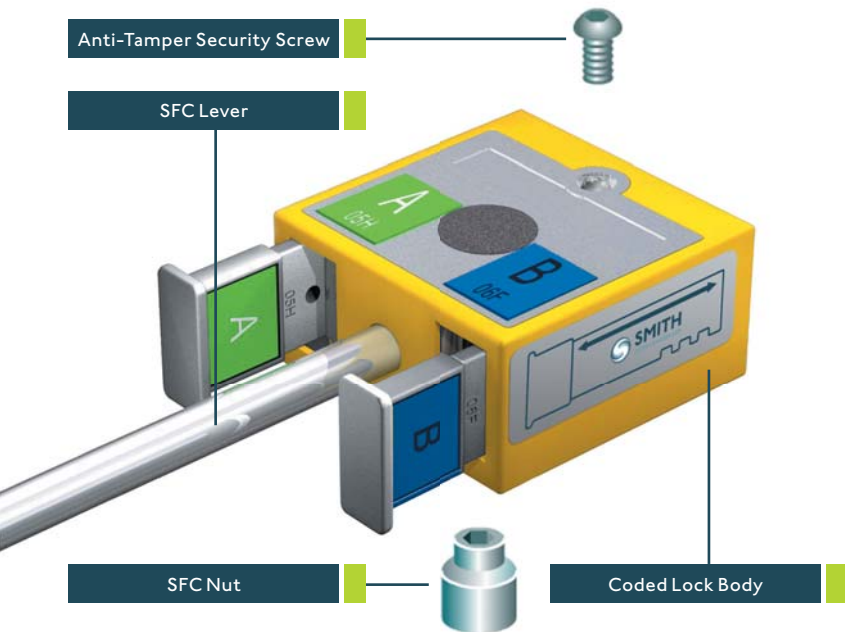
Installing the (inter)lock on the host valve is a simple procedure as described below and requires no modification or hot-work to the host equipment as the anchor and adaptors are custom-machined to suit the valve.



After removing the existing Lever the QL is assembled as follows:

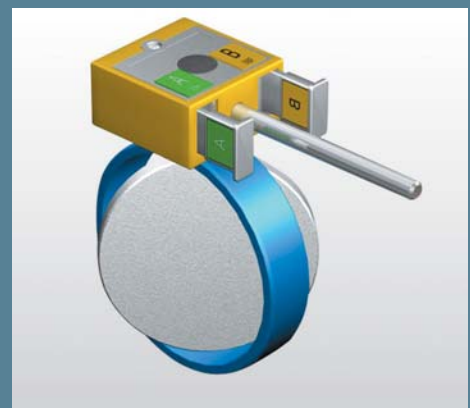
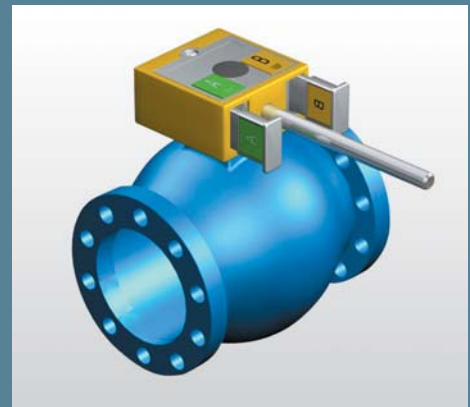
- 1 Install lock adaptor.
- 2 Install anchor.
- 3 Fit SFC nut.
- 4 Assemble QL lock, secure lever and tighten screw.





## PRODUCT FEATURES

- 316 Stainless steel.
- Linear 'coded-card' key design.
- Robust construction.
- Proven reliability in all climates.
- Single or double key versions.



- No modification to host valve.
- Suitable for any valve type/model.
- Can be installed on 'live' plant.



Smith Flow Control Ltd  
6 Waterside Business Park  
Eastways Industrial Estate  
Witham Essex CM8 3YQ  
United Kingdom

Tel: +44 (0)1376 517901

Fax: +44 (0)1376 518720

[sales@smithflowcontrol.com](mailto:sales@smithflowcontrol.com)

[www.smithflowcontrol.com](http://www.smithflowcontrol.com)