

# COSASCO® RETRACTABLE SYSTEM

## MODEL 60

### Features

- **Quick Mounting & Release**
- **Simple to Operate**
- **Lightweight**
- **1500 PSI Working Pressure**
- **Convenient Carrying Case**
- **Cosasco Proven Reliability**

The Cosasco Retractor is a lightweight tool easily and simply operated by one person. It provides safe and controlled insertion and retraction of probes, sensors and injection devices at pressures up to 1,500 psi.

Over thirty years of field experience brings you the safest and most reliable retractor available. A simple clamp installs or removes the retractor in seconds. A safety release pin assures a safe, secure attachment during installation or retraction. This Retractor has been designed and field tested to comply with Cosasco's high standards for reliability and safety.

The Cosasco Retractor is completely compatible with the Cosasco Retractable System of access fittings, probes, sensors and injection devices. It is also compatible with a standard 1" full port ball valve and nipple assembly.

The Cosasco Retractor comes complete with tools and adaptors in a handy carrying case for easy portability and storage.



**1500 PSI (10.3 MPa)  
Working Pressure**

# MODEL 60

## Specifications

| Description<br>(See Illustration) | Ordering Length          |                          |
|-----------------------------------|--------------------------|--------------------------|
|                                   | 24                       | 36                       |
| Retractor Overall Length          | 35"<br>.89 m             | 47"<br>1.2m              |
| Minimum Working Radius            | 9.5"<br>.24m             | 9.5"<br>.24m             |
| Retractor Assembly Weight         | 19#<br>8.62 kg           | 22#<br>9.98 kg           |
| Shipping Weight (Net)             | 27#<br>12.25 kg          | 35#<br>15.88 kg          |
| Shipping Cubage                   | 1.0 cu. ft.<br>.03 cu. m | 1.3 cu. Ft.<br>.04 cu. m |

## Retractable System Access Valve Assembly

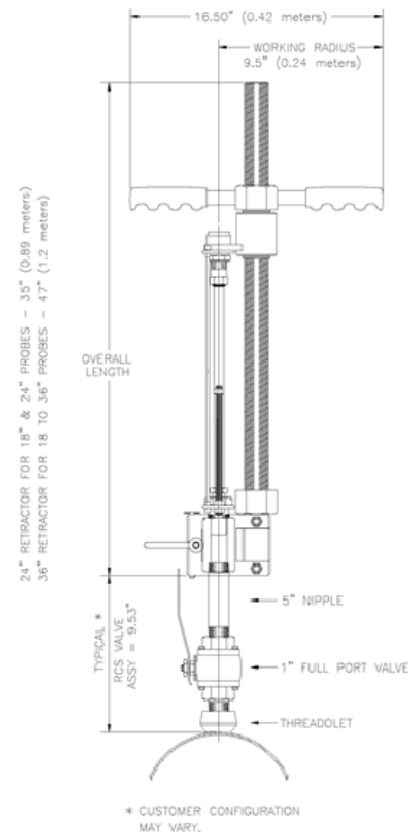
This Access System has been designed to be compatible with the commonly used ANSI 600# class rating. Operating pressures run to 1,500 psi (10.3 MPa) and temperatures to +995°F (+535°C.) See separate access valve assembly bulletin for details and ordering information.

## Ordering Information

Retractor Kit with carrying case:

P/N 603000-24 - For devices up to 24" order length

P/N 603000-36 - For devices up to 36" order length



### Cosasco

11841 Smith Avenue  
Santa Fe Springs, CA 90670, USA  
Tel: 1-562-949-0123  
Email: [sales@cosasco.com](mailto:sales@cosasco.com)  
Web Site: [www.cosasco.com](http://www.cosasco.com)

©Rohrbach Cosasco Systems, Inc. All rights reserved

The contents of this publication are presented for information purposes only, and while effort has been made to ensure their accuracy, they are not to be construed as warranties or guarantees, express or implied, regarding the products or services described wherein or their use or applicability. We reserve the right to modify or improve the designs or specifications of our products at any time without notice.

Rohrbach Cosasco Systems Corrosion Monitoring Equipment is manufactured and sold under one or more of the following US Patents: 4138878, 4238298, 4338563, 4514681, 4537071, 4587479, 4605626, 4625557, 4755744, 4839580, 4841787, 4882537 5243297

**COSASCO**



ISO 9001:2008  
Certificate No. FM 10064

60-DS rev-A  
Rev. Date: 07/18/2016

[www.cosasco.com](http://www.cosasco.com)